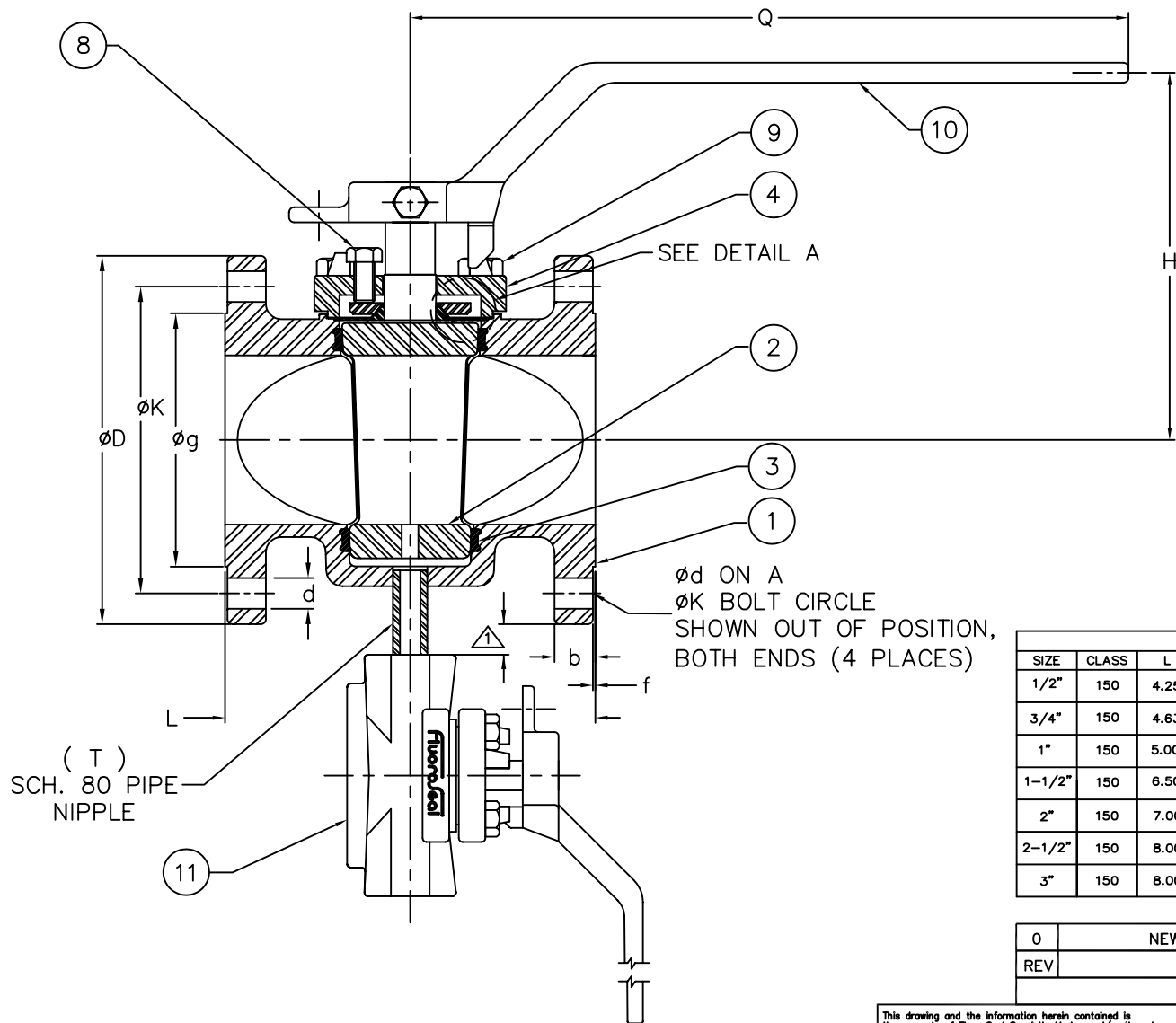
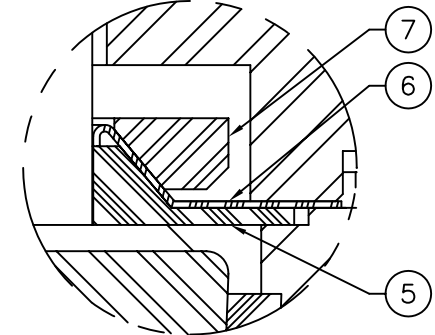


This drawing and the information herein contained is the property of FluoroSeal Specialty Valves and/or its subsidiaries and is supplied upon the express conditions that the same be returned to FluoroSeal Specialty Valves upon request; all information herein contained is to be treated as secret and confidential; no reproduction of this drawing or any part thereof shall be made without the written permission of FluoroSeal Specialty Valves; acceptance of this drawing shall be deemed acceptance of the foregoing conditions.



| BILL OF MATERIAL | | |
|------------------|-----|--|
| ITEM | QTY | DESCRIPTION |
| 1 | 1 | BODY |
| 2 | 1 | PLUG |
| 3 | 1 | SLEEVE |
| 4 | 1 | COVER |
| 5 | 1 | DELTA RING DIAPHRAGM COMBINED |
| 6 | 1 | METAL DIAPHRAGM |
| 7 | 1 | THRUST COLLAR |
| 8 | 3 | ADJUSTMENT BOLT |
| 9 | 4 | COVER BOLTS |
| 10 | 1 | LEVER |
| 11 | 1 | 1/2" 152/302 SE FLUOROSEAL BLEEDER VALVE |



DETAIL A
STANDARD CONFIGURATION

| TECHNICAL DATA | | | | | | | | | | | |
|----------------|-------|------|------|------|------|------|------|-------|------|----------|-------|
| SIZE | CLASS | L | H | ØD | ØK | Øg | b | f | d | T | Q |
| 1/2" | 150 | 4.25 | 3.69 | 3.50 | 2.38 | 1.38 | 0.38 | 0.060 | 0.63 | 1/2"-NPT | 8.00 |
| 3/4" | 150 | 4.63 | 3.69 | 3.88 | 2.75 | 1.69 | 0.41 | 0.060 | 0.63 | 1/2"-NPT | 8.00 |
| 1" | 150 | 5.00 | 4.38 | 4.25 | 3.13 | 2.00 | 0.44 | 0.060 | 0.63 | 1/2"-NPT | 9.00 |
| 1-1/2" | 150 | 6.50 | 5.25 | 5.00 | 3.88 | 2.88 | 0.56 | 0.060 | 0.63 | 1/2"-NPT | 14.25 |
| 2" | 150 | 7.00 | 6.00 | 6.00 | 4.75 | 3.63 | 0.63 | 0.060 | 0.75 | 1/2"-NPT | 16.50 |
| 2-1/2" | 150 | 8.00 | 6.56 | 7.50 | 5.50 | 4.13 | 0.75 | 0.060 | 0.75 | 1/2"-NPT | 16.50 |
| 3" | 150 | 8.00 | 6.56 | 7.50 | 6.00 | 5.00 | 0.75 | 0.060 | 0.75 | 1/2"-NPT | 16.50 |

| | | | | |
|----------|-------------------------------|----------|------|------|
| 0 | NEW PRODUCT DESIGN # NPD-0138 | 05/05/18 | M.B. | S.E |
| REV | DESCRIPTION | DATE | DFTR | APVD |
| REVISION | | | | |

- NOTE:
- ▲ : TO BE SPECIFIED BY CUSTOMER.
 - DIMENSION L IS AS PER ASME B16.10.
 - DIMENSION D,K,g,b,f AND d ARE AS PER ASME B16.5.
 - THE SHELL AND CLOSURE PRESSURE TESTS ARE AS PER ASME B16.34.
 - CASTING MUST MEET VISUAL INSPECTION REQUIREMENTS OF MSS-SP-55, REGARDLESS OF MATERIAL, ACCEPTABILITY WILL BE BASED ON REFERENCE PHOTOGRAPHS IN ANNEX A. LEVELS A & B ARE ACCEPTABLE.

This drawing and the information herein contained is the property of FluoroSeal Specialty Valves and/or its subsidiaries and is supplied upon the express conditions that the same be returned to FluoroSeal Specialty Valves upon request; all information herein contained is to be treated as secret and confidential; no reproduction of this drawing or any part thereof shall be made without the written permission of FluoroSeal Specialty Valves; acceptance of this drawing shall be deemed acceptance of the foregoing conditions.

FluoroSeal SPECIALTY VALVES
6418 Transcanadian Highway W.,
Montreal QC, H4T 1X4
TEL: (514)739-0220
FAX: (514)739-5452

TITLE: **FLUROSEAL PLUG VALVE**
1/2" TO 3" 152F W/ DOUBLE BLOCK & BLEED
STANDARD CONFIGURATION ASSEMBLY

| | | |
|----------------------|--|---------------|
| SIZE A | DWG NO. FPS-152-F-STD-DBB-06-11 | REV 0 |
| DRAWN BY: M.BENSALAH | DATE: 2005/05/18 | SCALE: N.T.S. |
| CHKD BY: S.ELFASHNY | DATE: 2005/05/18 | SHEET: 1/1 |

THIRD ANGLE PROJECTION DO NOT SCALE DRAWING